

A hand holding a pen, writing on a spiral-bound notebook. The notebook is open, and the pen is in motion, creating a slight blur. The background is a soft, out-of-focus light blue and white. The overall image has a clean, professional aesthetic.

PEN

Personal Electronic Notebook

Jacob Shaha

Clark Coulam

Neal Tew

Abstract

- Design a system to replace loose-leaf notebooks in school and the workplace.
- Paper notebooks offer incredible flexibility, but are environmentally wasteful and become difficult to store after a prolonged educational or occupational career.
- Our system will incorporate current display and interface technologies to provide a writing surface as intuitive and useful as paper, with electronic storage and processing options to simplify use.

What's wrong with paper

- Occupies physical space – storage becomes tough
- Near impossible to develop automatic searching systems
- Environmentally costly



What's right with paper

- Physically resilient
- Can contain any type of information
- Wide viewing angle, ultra-high resolution

PEN Design Objectives

- Durability – physically tough
- Portability – light and convenient size
- Longevity – long battery life
- Viewability – wide angles and brightness
- Applicability – useful for many types of info
- Storage – memory for many “sheets”

Interface

- *Paper* mode for writing and reading
- *Settings* mode for changing unit settings
- *Page browser* for switching internal pages
- *File browser* for moving pages on and off

- Modes are accessed via external buttons; files and menus are accessed on the screen

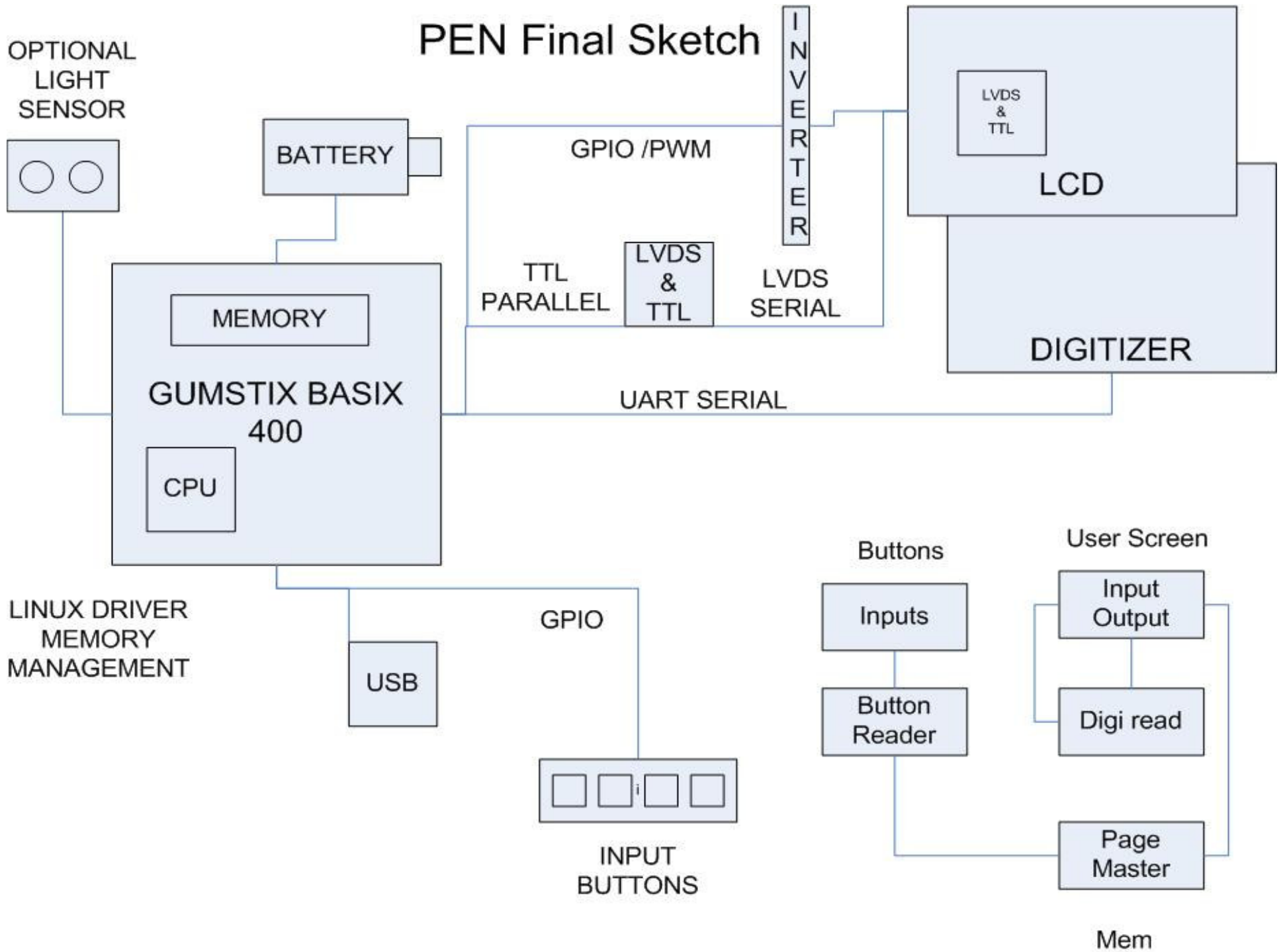
- Aside from the user interface, the PEN will incorporate three well-developed computing solutions:
- Memory management will be performed by an onboard microcontroller, moving information between the screen and internal memory;
- Image encoding algorithms will convert raw screen data into universal file formats, to allow exportation of pages as images;
- Disk management software and hardware will enable movement of page “images” from internal memory to external storage via a USB interface.

Background

- The primary reference work for the PEN is the modern “tablet PC,” an adaptation of the notebook computer that uses a touch-sensitive display as the primary user interface.



PEN Final Sketch

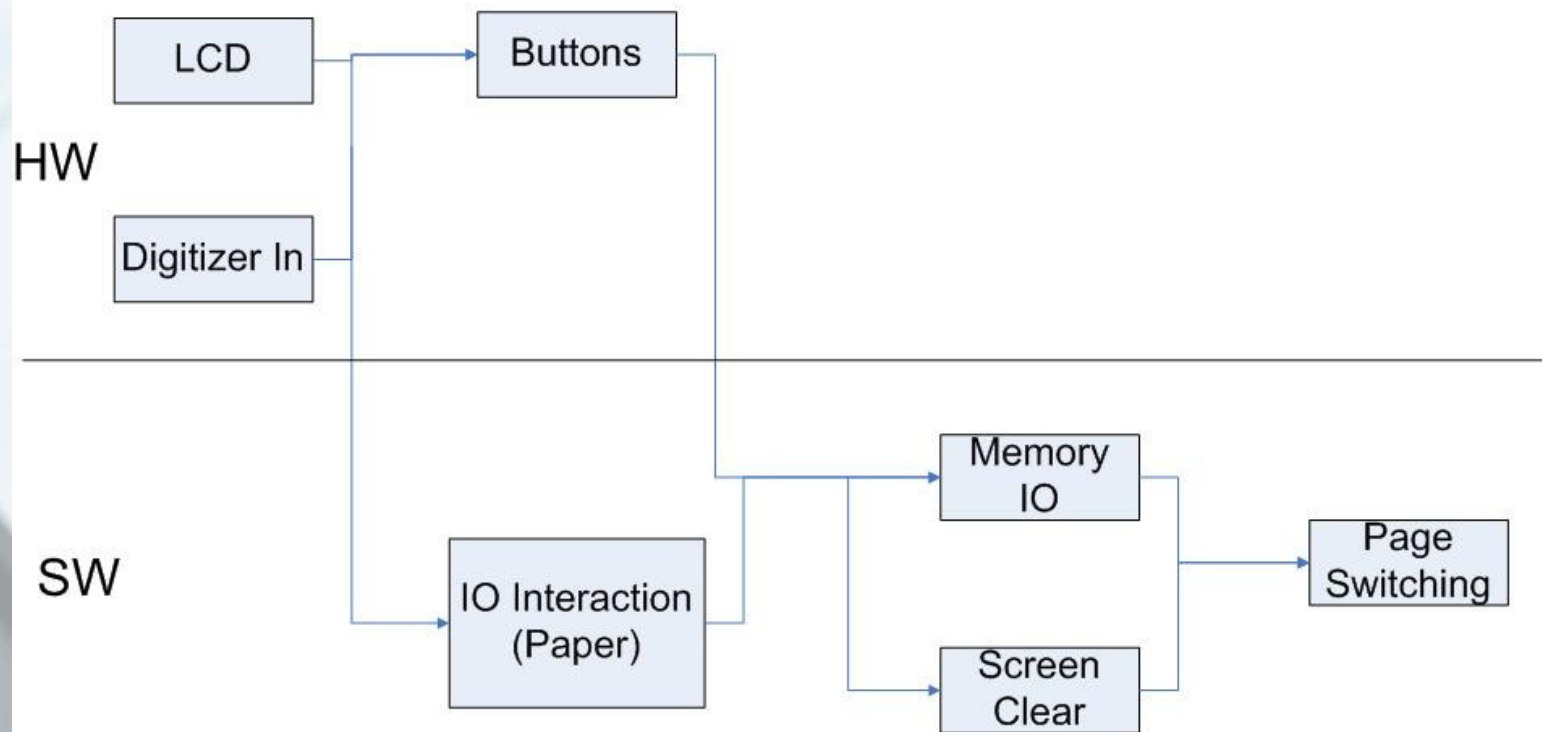


Milestones: Alpha

- Contains multiple pages stored in flash memory
- Paper mode functions – stylus can write to paper, sheets can be fully cleared
- Limited settings mode
- Page browser mode
- Deadline: 1 July 2006

Stage “Alpha”

To be completed by July 1

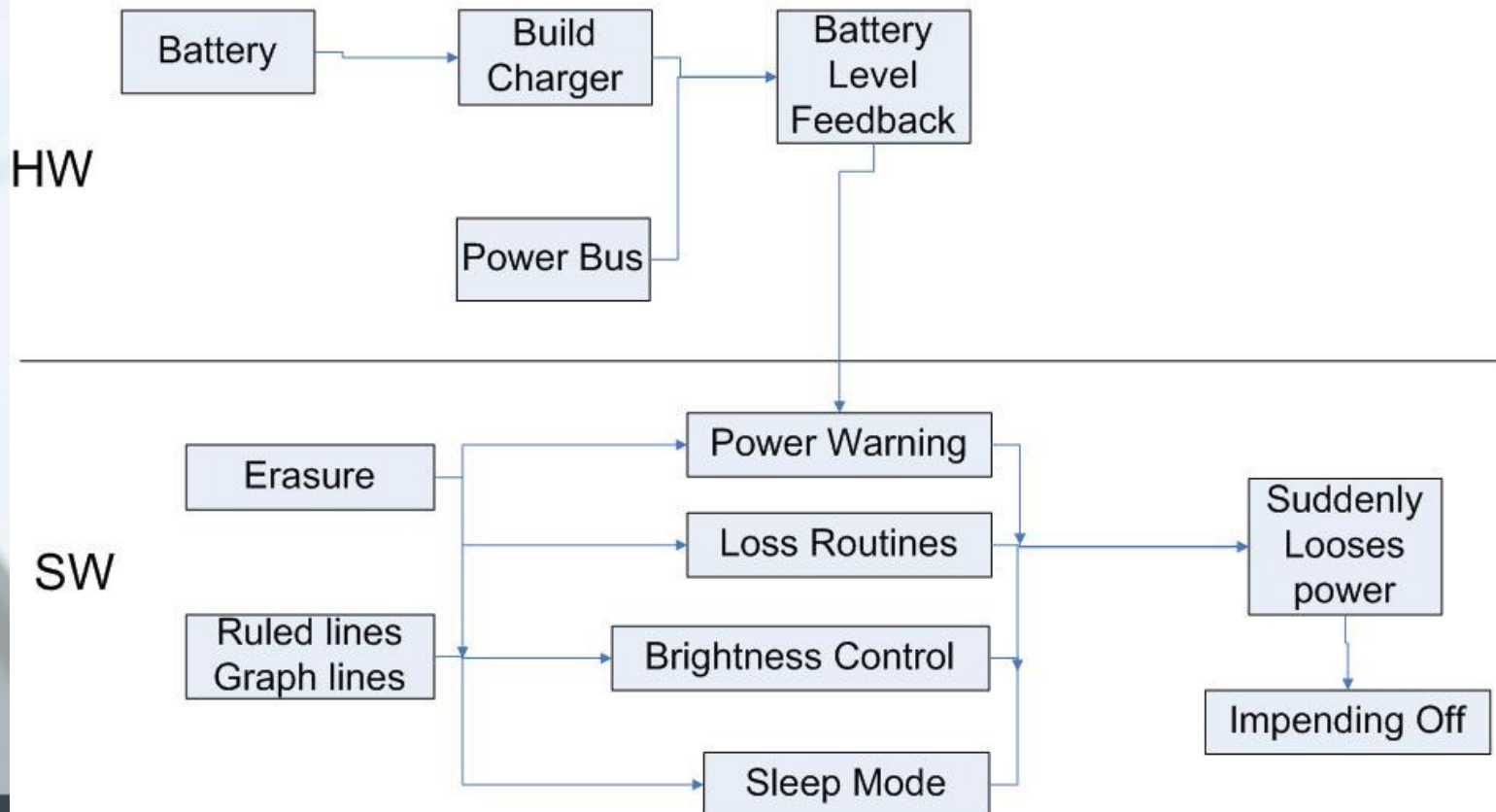


Milestones: Beta

- Design of 12 V DC power source based on lithium-ion battery
- Eraser input setting
- Power management software
- Deadline: 1 September 2006

Stage "Beta"

To be completed by Sept. 1

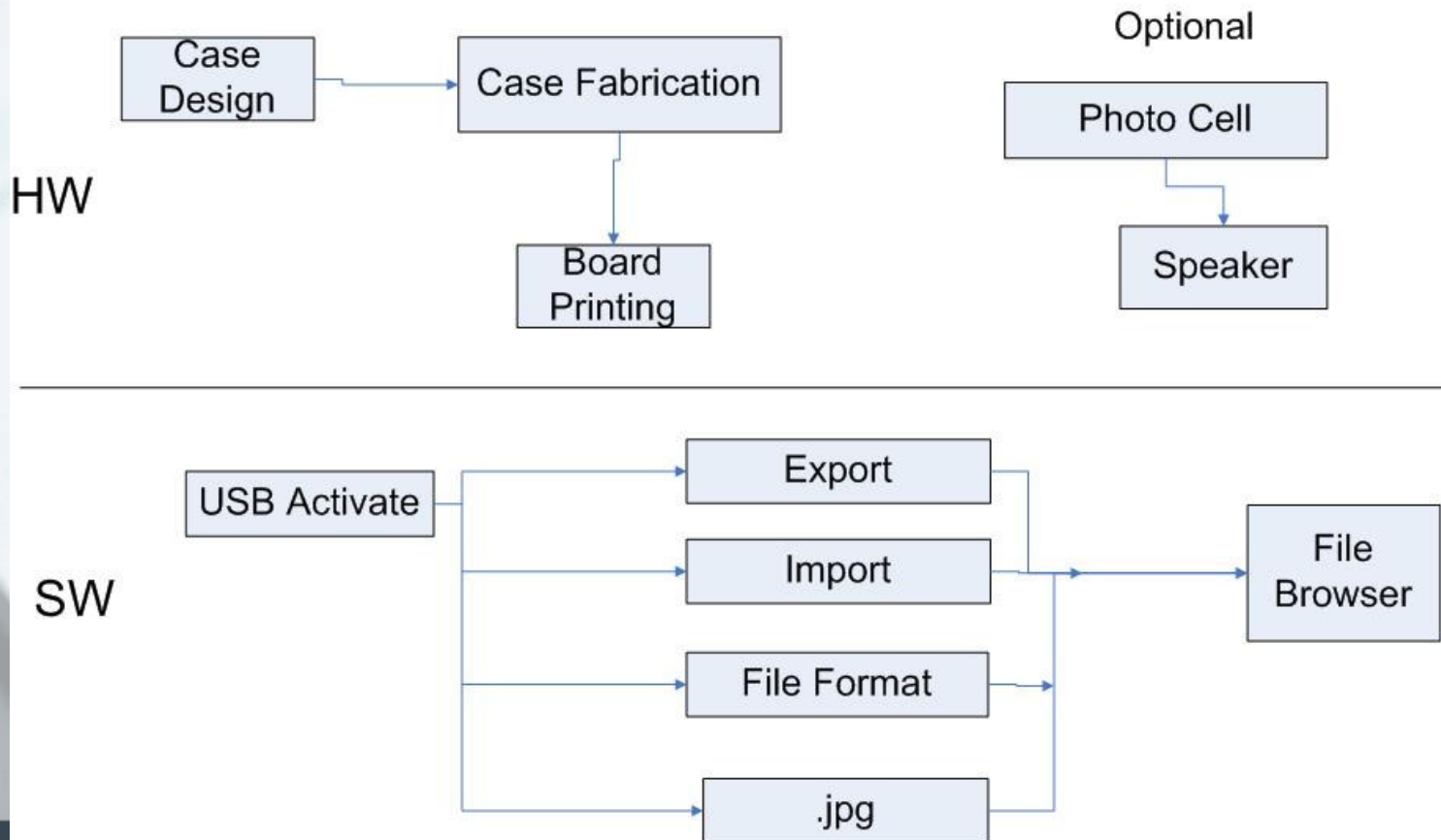


Milestones: Gold

- Image-file encoding
- File browser mode
- Full Settings mode
- USB controller and disk driver
- Plastic case design
- Circuit board fabrication
- Deadline: 1 December 2006

Stage “Gold”

To be completed by Dec. 1



Success Metrics

- Primary concern is ***resiliency***: PEN should never, *ever* crash
- PEN should be an attractive alternative to paper for technically-oriented professionals
- PEN should be easy and intuitive enough for my mom to use (and she's awful with tech)

Problems

- LCD / Digitizer interfacing
- GUI development
- Power source design
- Power management algorithms

Finalized BOM



- - HP/Compaq TC1100 LCD Screen and Wacom Digitizing Unit with stylus, approx \$150
- - HP/Compaq TC1100 LCD Backlight inverter, approx \$40
- - Processor/memory board – Gumstix Basix m400, \$150
- - Lead-acid battery, 12 V DC (to be replaced by Li in production), \$35
- - USB interface (onboard the Gumstix breakout gs board), \$30
- - External buttons
- - Plastic case (to be designed in Gold phase)
- - Nexcom EBK LVDS2 18/24-bit TTL to LVDS LCD transmitter module, approx \$60



Testing

- Alpha:
- LCD: can be tested by programming preset patterns into the video memory.
- Digitizer: can be tested by outputting position measurements to the SCI console output built into the m400.
- Input-output coordination: tested by putting pixels at the location of the stylus input
- Page storage: tested by writing to a page, moving to another page, and recalling the previous page

Testing

- Beta:
- Power charging: tested by draining the battery, charging it and measuring incident voltage
- Power monitor: tested by comparing monitor output to analog measurement devices
- Power loss compensation: tested by draining/removing the battery and verifying memory contents following power restoration
- Power management: tested by measuring longevity with and without management algorithms

Testing

- Gold:
- File export: tested by exporting memory contents over USB into a recognizable file
- File import: tested by importing a file and observing a (randomized) pattern of pixels
- File formatting: tested by exporting files that are readable to PC .jpg viewers, and importing .jpg files viewable by the PEN
- File browser: tested by extensive situational file movement scenarios, including destination disk full, read-only, file name conflicts, and other common file system problems
- Page browser: tested by extensive use and monitoring

Summary

- We know what we can do; we left lots of time for things we don't know if we can do
- Job is approximately 85% software, and that suits us just fine
- All of you will want one