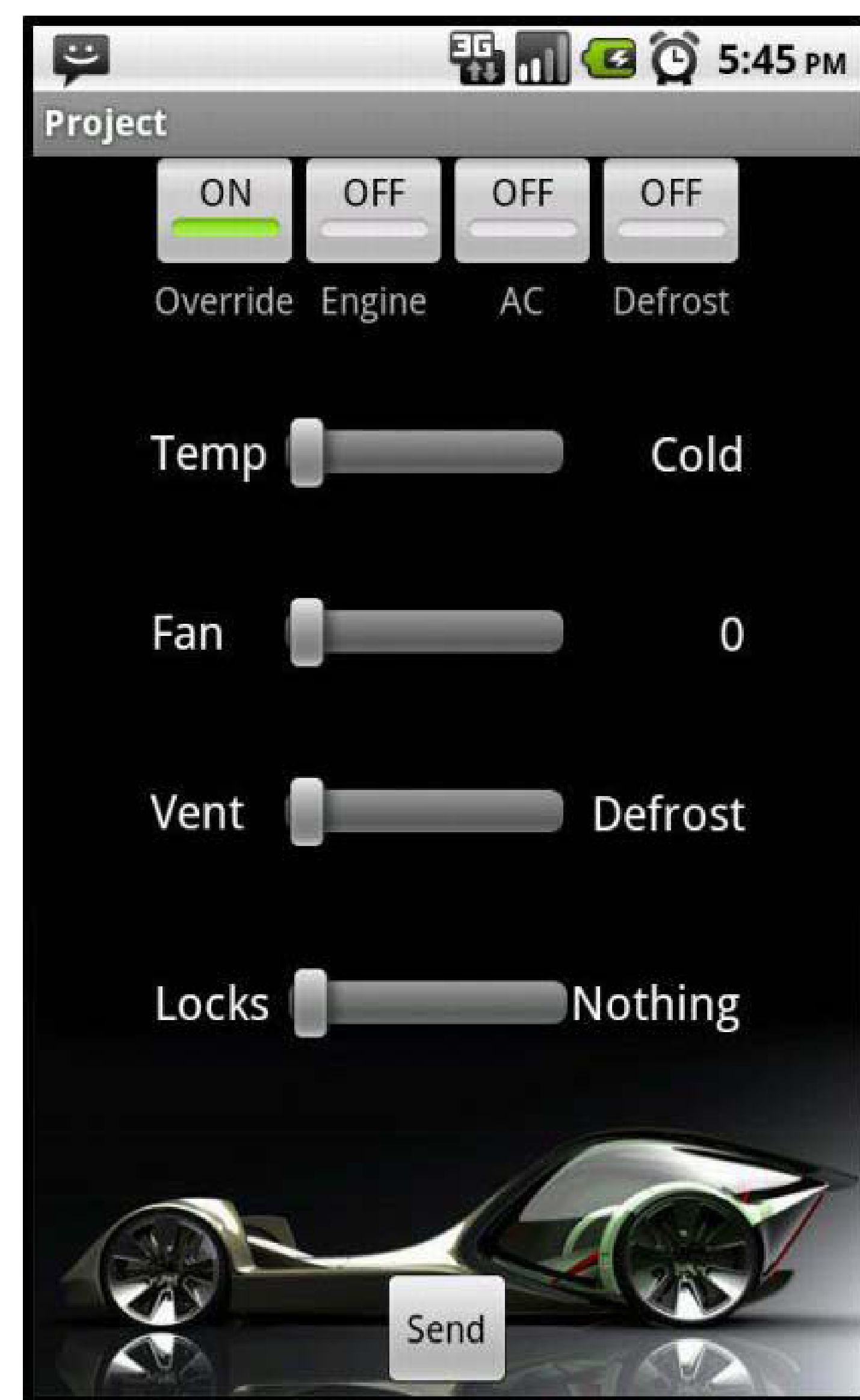


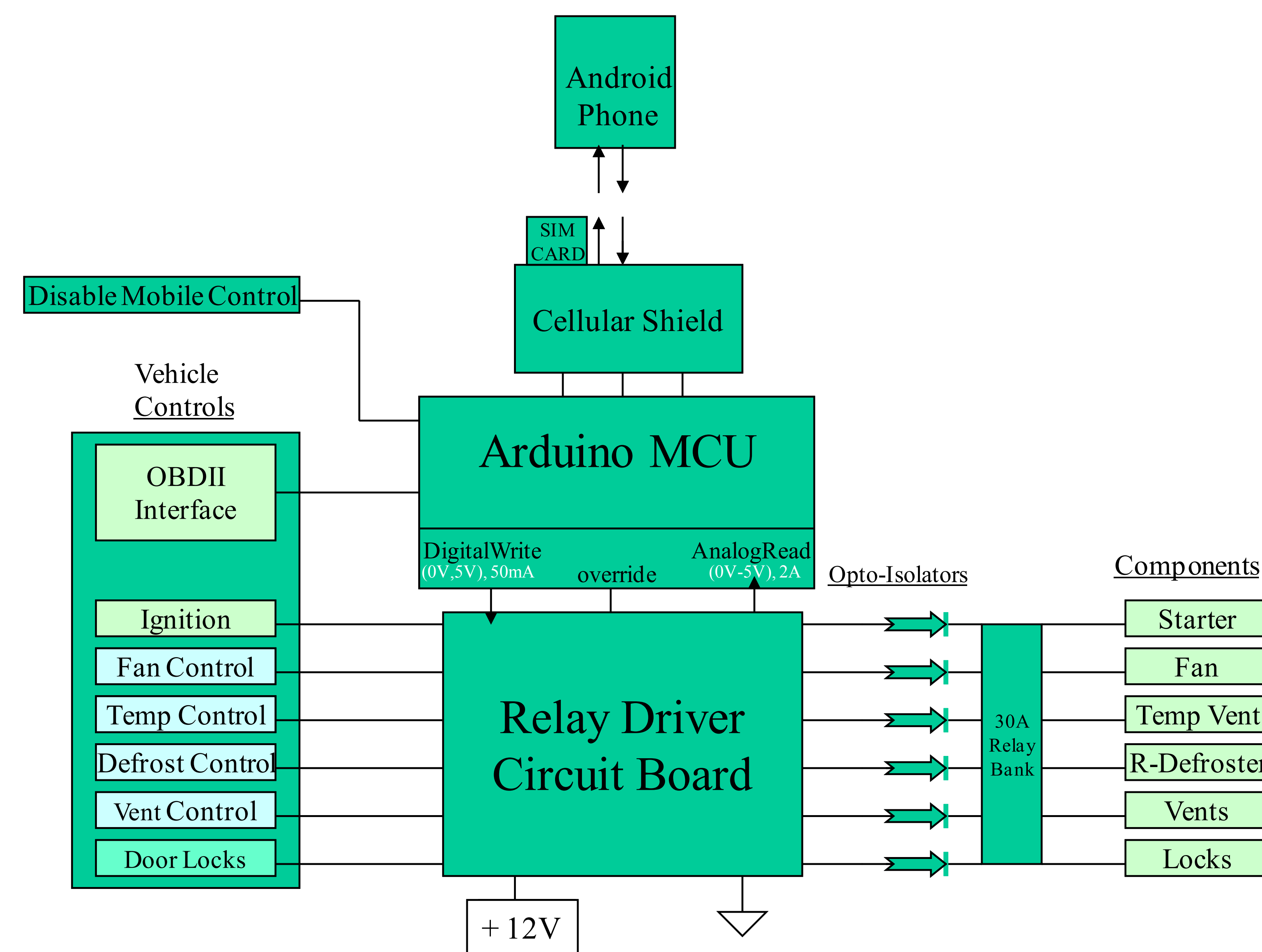
The Car Jackers

Jeremy Bonnell & Tong Wu
 Computer Engineering 2012
 University of Utah
 Salt Lake City, Utah 84112

Controls Car settings via Android Phone

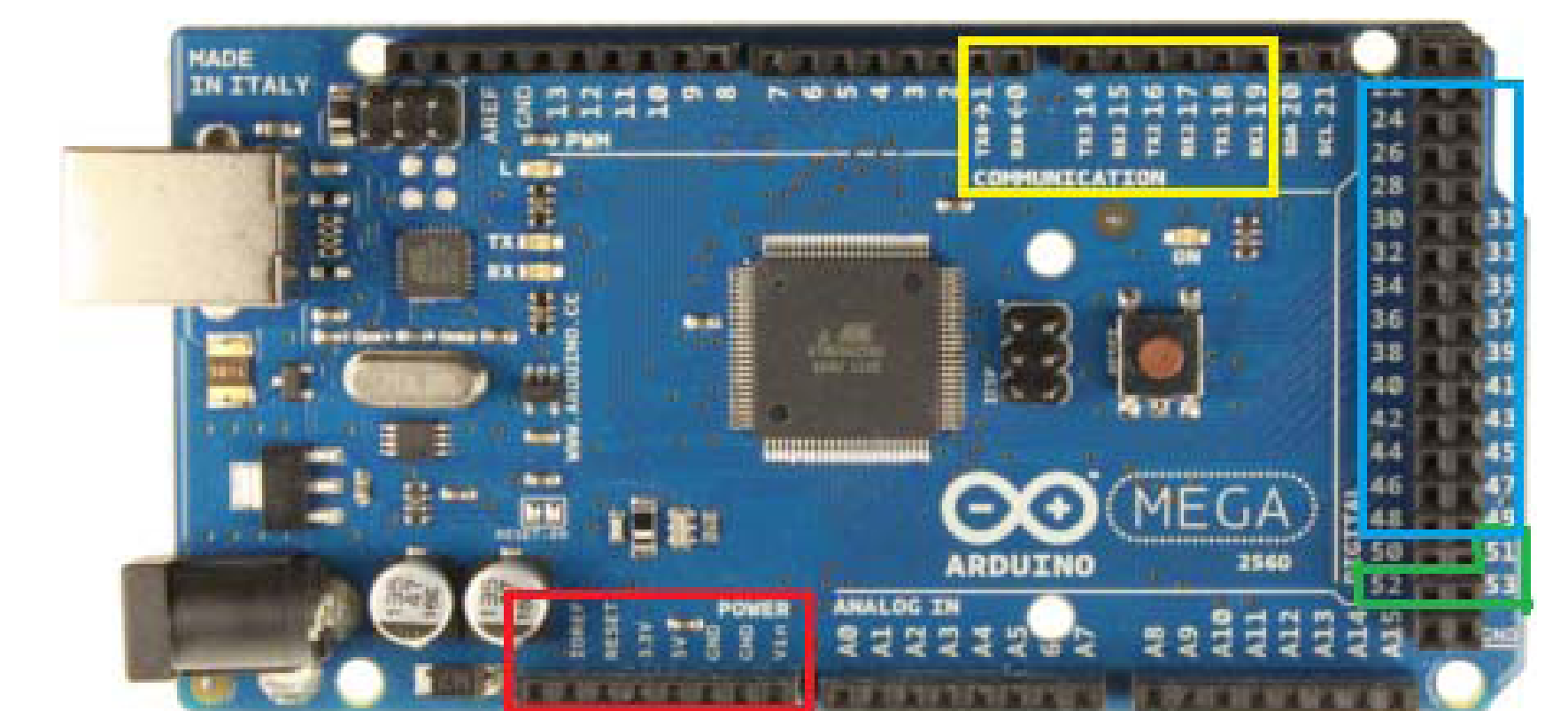


Interface

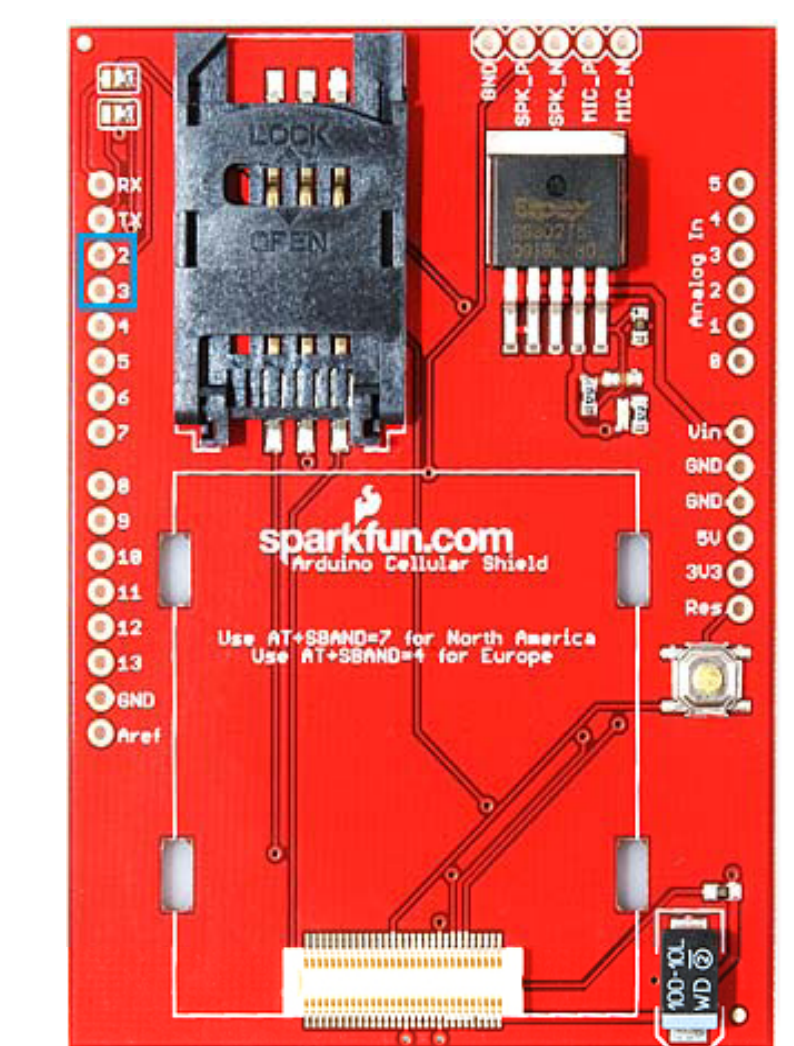


Functionality:

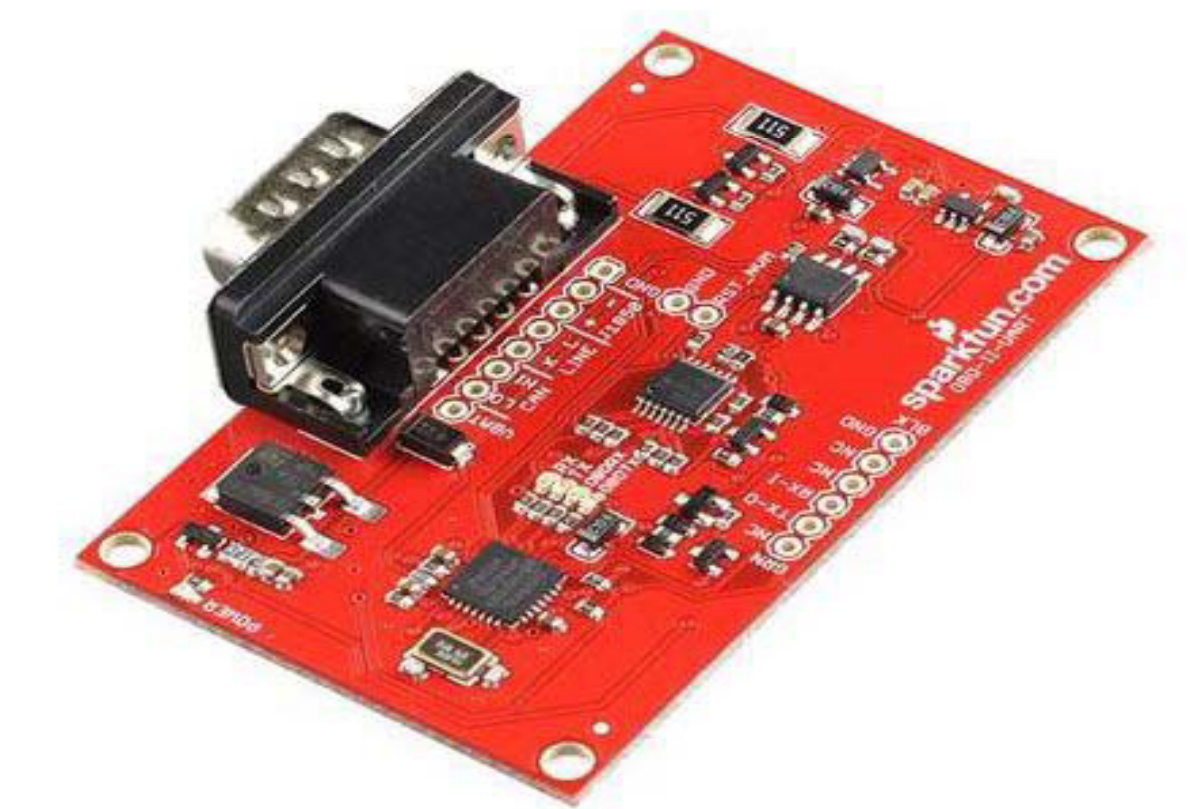
- Start and Stop engine
- Determine engine on/off
- Lock and Unlock doors
 - Set fan levels
 - Set vent levels
 - Set temperature levels
- Set air conditioning on/off
- Set rear defrost on/off
- Force override off with car brake pedal when key not in.
- Force override off with shift knob (not park) when key in.



Microcontroller (Arduino)



Cellular Shield



OBD-II Shield

